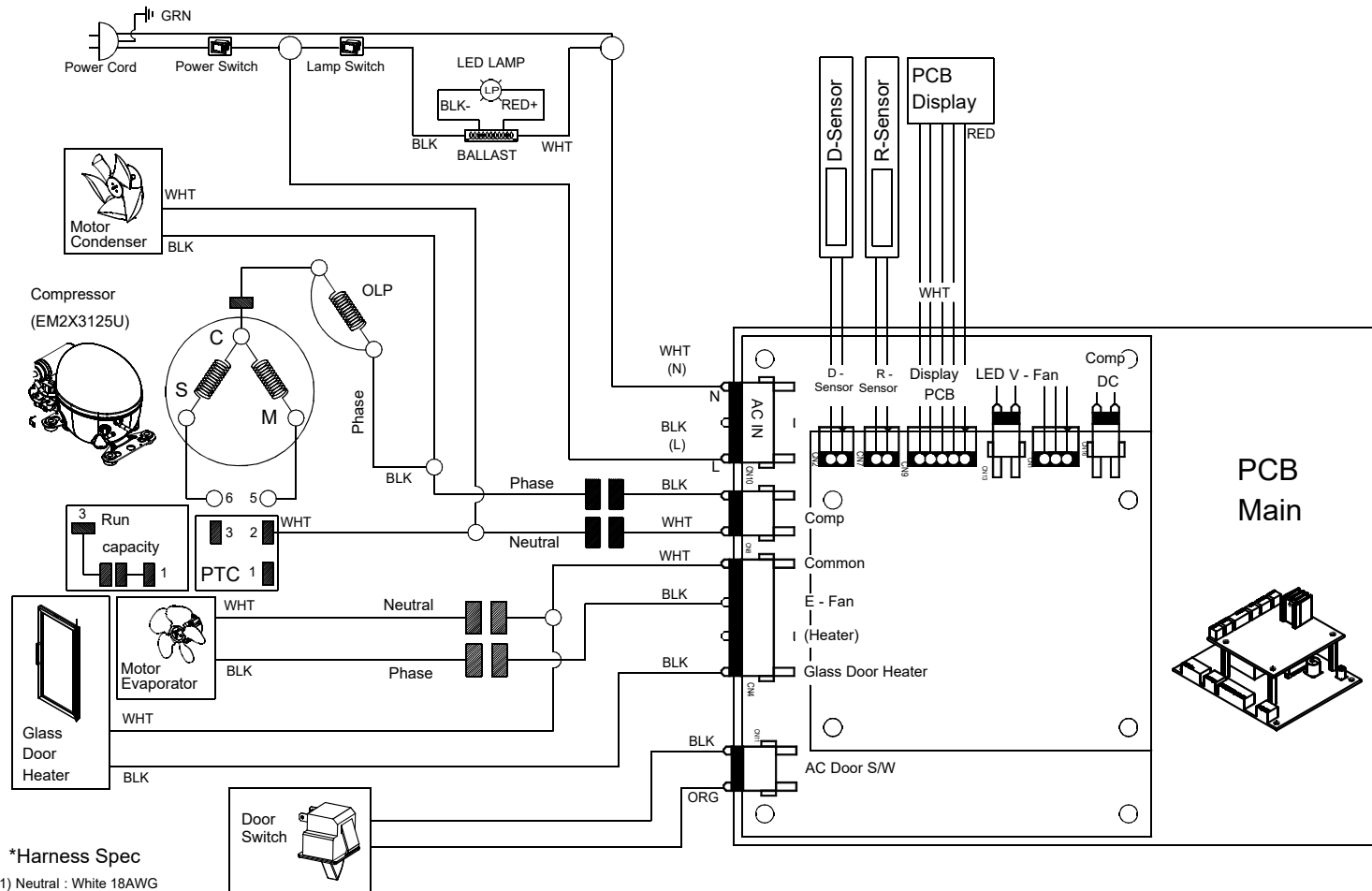


# KBSR-1G

# CIRCUIT DIAGRAM



- \*Harness Spec**
- 1) Neutral : White 18AWG
  - 2) Phase : Black 18AWG
  - 3) Sensor Room : 24AWG
  - 4) Sensor Defrost : 24AWG

(115V/60Hz)

WHT - WHITE GRN - GREEN BLK - BLACK ORG - ORANGE RED - RED

"CODE NO"