



Pizza Dough Roller AX-PZR17



AXIS Pizza Dough Roller

Standard Features

- Designed for pizza, bread, focaccia, calzones, roti, pita bread, flour tortillas, cookies, pie crusts, sweet doughs, rolled-in dough, cinnamon rolls, danish, pierogis etc. with an absorption rate of 50-60%
- 250 pieces per hour output
- Easily adjustable dough thickness and diameter
- Heavy-duty AISI 304 stainless steel body
- Heavy-duty metal gear transmission
- Upper and lower roller scrapers and ceramic slide are removable for easy cleaning
- Robust stainless steel, see-through hand guards provide optimal visibility for a safe and comfortable operation
- Easy detachable plexi roller protections, provided with micro switch
- IP67 stainless steel control switches

Axis is a registered trademark of MVP Group Corp.



3560 NW 56th Street
Fort Lauderdale, FL, United States
Telephone: 786.600.4687 / Toll Free: 844.218.8477
Fax: 786.661.4100

5659 Royalmount Ave.
Montreal, QC, Canada H4P 2P9
Telephone: 514.737.9701 / Toll Free: 888.275.4538
Fax: 514.342.3854 / Toll Free: 877.453.8832
sales@mvpgroupcorp.com / mvpgroupcorp.com

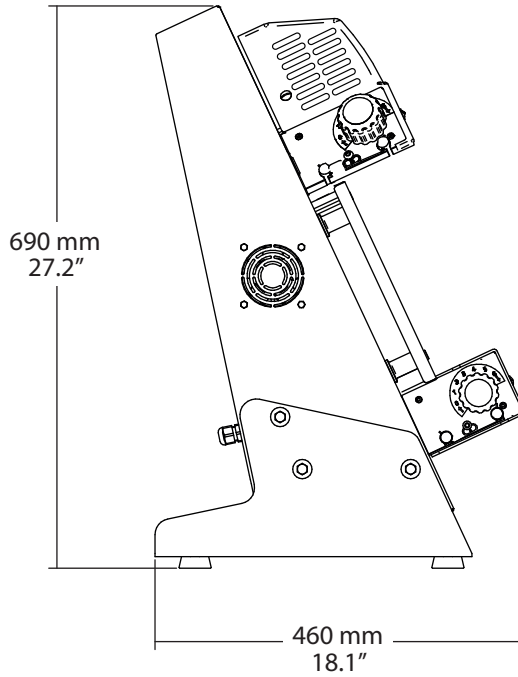
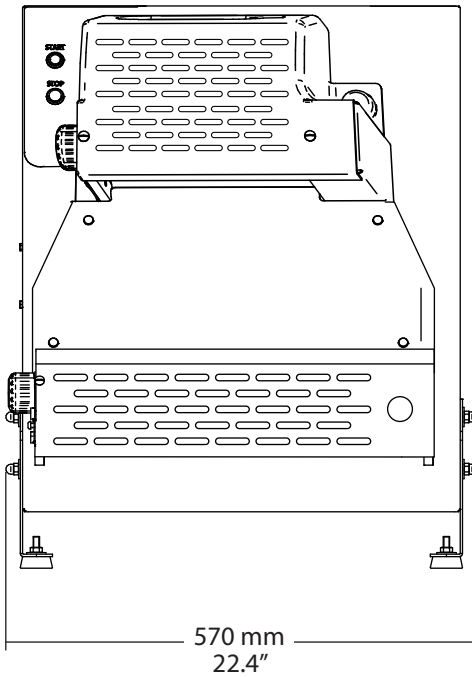




**Pizza Dough Roller
AX-PZR17**

AX-PZR17

AXIS Pizza Dough Roller



Model	Watt / HP	Phase	Roller Dimensions	Product Dimensions	Shipping Dimensions	Unit Weight	Ship Weight
AX-PZR17	240 W 0.33 HP	1 Ph	12.6" - 16.5" 320 - 420 mm	22.4" x 18.1" x 27.2" 570 x 460 x 690 mm	29.5" x 22.8" x 39.6" 750 x 580 x 1005 mm	106.9 lbs 48.5 kg	133.4 lbs 60.5 kg

Due to continuing product development, to ensure the best possible performance, the specifications are subject to change without prior notice.

Axis is a registered trademark of MVP Group Corp.



3560 NW 56th Street
Fort Lauderdale, FL, United States
Telephone: 786.600.4687 / Toll Free: 844.218.8477
Fax: 786.661.4100

5659 Royalmount Ave.
Montreal, QC, Canada H4P 2P9
Telephone: 514.737.9701 / Toll Free: 888.275.4538
Fax: 514.342.3854 / Toll Free: 877.453.8832
sales@mvpgroupcorp.com / mvpgroupcorp.com